

Jacuzzi J-315

Specifications

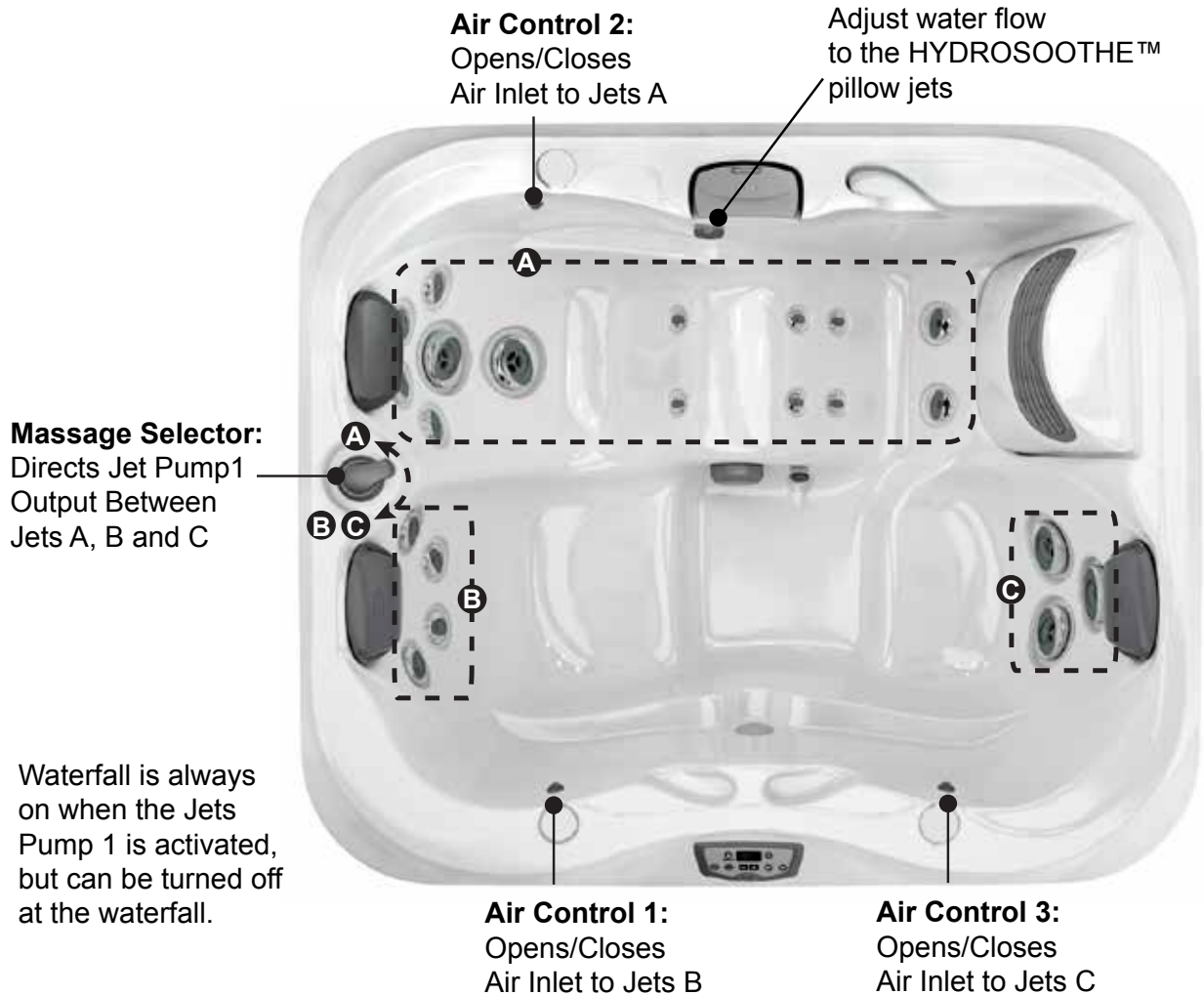
Seating Capacity.....	2-3 Adults	
Dimensions	66" x 76" x 31.75" (168 cm x 193 cm x 80.65 cm); For Complete Dimensions, See page 84	
Perimeter	284 in. (721.4 cm)	
Dry Weight.....	531 lbs (241 kg)	
Filled Weight (Spa Volume)	2,866 lbs (1,300 kg)	
Filled Weight (Average Fill).....	2,282 lbs (1,035 kg)	
Water Capacity (Spa Volume).....	280 US gallons (1,060 Liters)	
Water Capacity (Average Fill).....	210 US gallons (795 Liters)	
Electronic Controls	Solid state electronic controls with LCD readout, programmable temperature, filtration, and heat cycles	
Pump 1 (Convertible)	North America (60 Hz): 1-Speed, 2.5 HP brake, 1.5 HP continuous, 56 Frame (3-Wire 240V).....North America (60 Hz): 1-Speed, 4.8 HP brake, 2.5 HP continuous, 56 Frame Export (50 Hz):.....1-Speed, 2.0 HP continuous	
Circulation Pump.....	Yes, 8-hour	
Heater (Convertible)	North America (60 Hz): 1 kW/4.0 kW Low Flow (3-Wire 240V).....North America (60 Hz): 4.0 kW Low Flow Export (50 Hz).....2.7 kW Low Flow	
Total PowerPro® Jets.....	23	
Seat A Jets	2 PowerPro® FX Rotational, 2 PowerPro® FX	
Seat B Jets	6 PowerPro® FX, 2 PowerPro® FX Large Rotational, 6 PowerPro® BX	
Seat B HYDROSOOTHE™ Jets.....	2 PowerPro® FX Directional with independent flow rate valve	
Seat C Jets	1 PowerPro® FX Large Rotational, 2 PowerPro® FX Large Rotational	
Massage Selectors	1	
Air Controls.....	3, On/Off rocker style	
Water Management System	Two 60 ft ² filter cartridges; filter 1 on 8-hour circulation pump; filter 2 on jets pump 1; Factory installed CLEARRAY Active Oxygen™ Clean Water System Export (50 Hz):.....Factory installed CLEARRAY Active Oxygen™ Clean Water System	
LED Lighting	One underwater light with 4 color modes, one colored waterfall light, 2 HYDROSOOTHE pillow lights, and OPTIONAL exterior light	
ProFinish™ Cabinet Colors	Modern Hardwood, Brushed Gray, and Smoked Ebony	
Acrylic Colors	Platinum, Silver Pearl (Gypsum), Monaco, Midnight, Porcelain	
Headrests	3	
Waterfall	One independent flow rate (on or off) adjustment; powered by the circulation pump	
Electrical Requirements:.....	North America (60 Hz): Convertible 120 VAC@15A or 240 VAC@30A, 40A North America (60 Hz): 3-Wire 240V@30A, 40A Export (50 Hz): 230-240 VAC@1x16A, or 2x16A, or suitably rated circuit breaker to comply with local electrical codes. Certain countries may require dual power inputs; two GFCI RCD breakers are required for this configuration.	
Warranty*.....	North America (60 Hz): 10 Years Shell, 7 Years Shell Surface, 5 Years Plumbing Component Leaks, 5 Years Equipment and Controls, 5 Years Cabinet, 2 Years Jets, 2 Years Lights, 1 Year Stereo; Export (50 Hz): 10 Years Shell, 7 Years Shell Surface, 5 Years Plumbing Component Leaks, 5 Years Equipment and Controls, 5 Years Cabinet, 2 Years Jets, 2 Years Lights, 2 Years Stereo	
Special Features (Optional).....	SmartTub™ Module, Exterior Lights	
Audio System (Optional).....	BLUEWAVE® Spa Stereo System (Bluetooth/Aux compatible) with four speakers and subwoofer	

*(See Warranty Document for Specific Details)

Dimensions/Specifications are Subject to Change Without Notice

Jacuzzi J-315

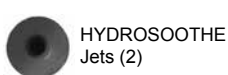
Operation/Seat Depths



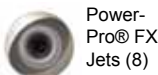
23 Total Jets



Power-Pro® BX
Jets (6)



HYDROSOOTHE
Jets (2)



Power-Pro® FX
Jets (8)



Power-Pro® FX
Rotational
Jets (2)



Power-Pro® FX
Large
Jets (2)



Power-Pro® FX
Large
Rotational
Jets (3)

Spa Operation Subject to Change without Notice

Seat Depths

- A = 27.50" (69.9 cm)**
- B = 26.25" (66.7 cm)**
- C = 27.88" (70.8 cm)**
- D = 26.75" (69.4 cm)**
- E = 27.50" (69.9 cm)**

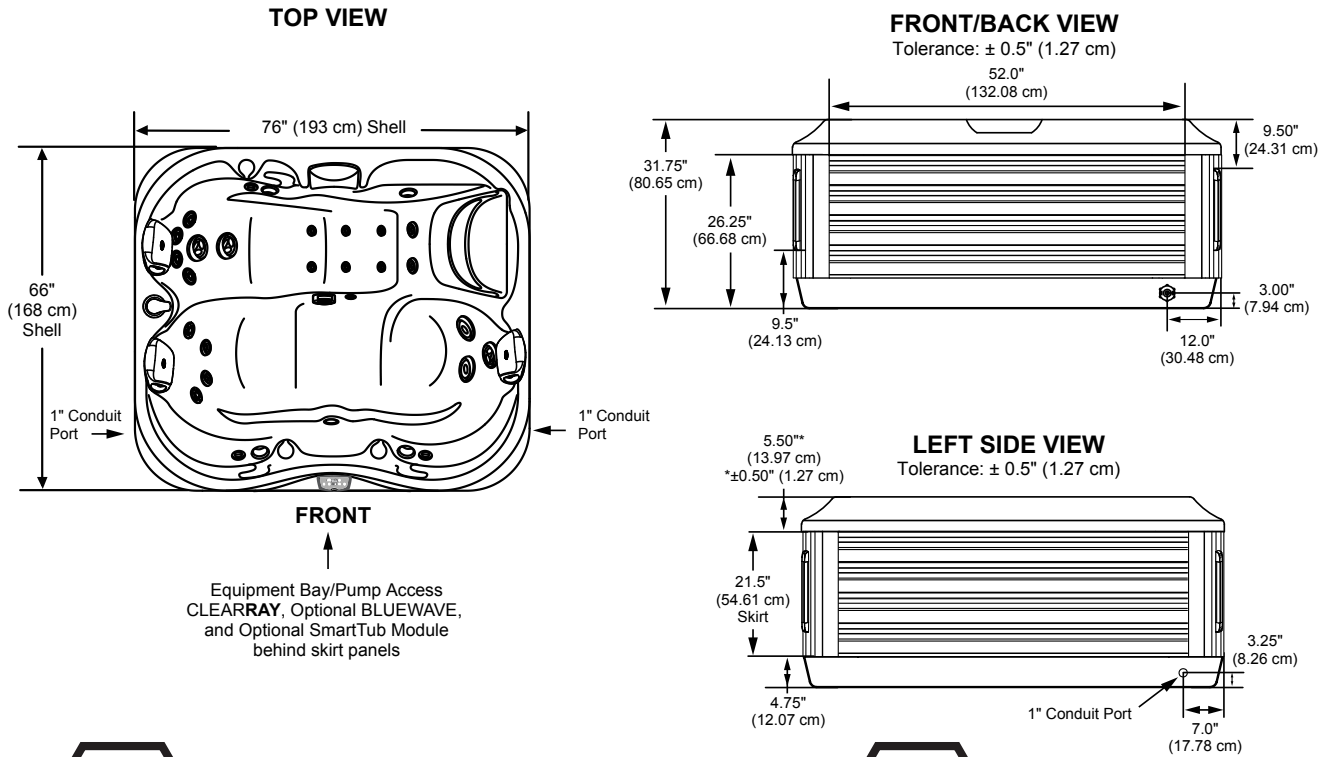
Listed dimensions
represent distance from
top of acrylic to lowest
point in seat. Tolerance
± 0.5" (1.27 cm).



Dimensions/Specifications are Subject to Change Without Notice

Jacuzzi J-315

Dimensions

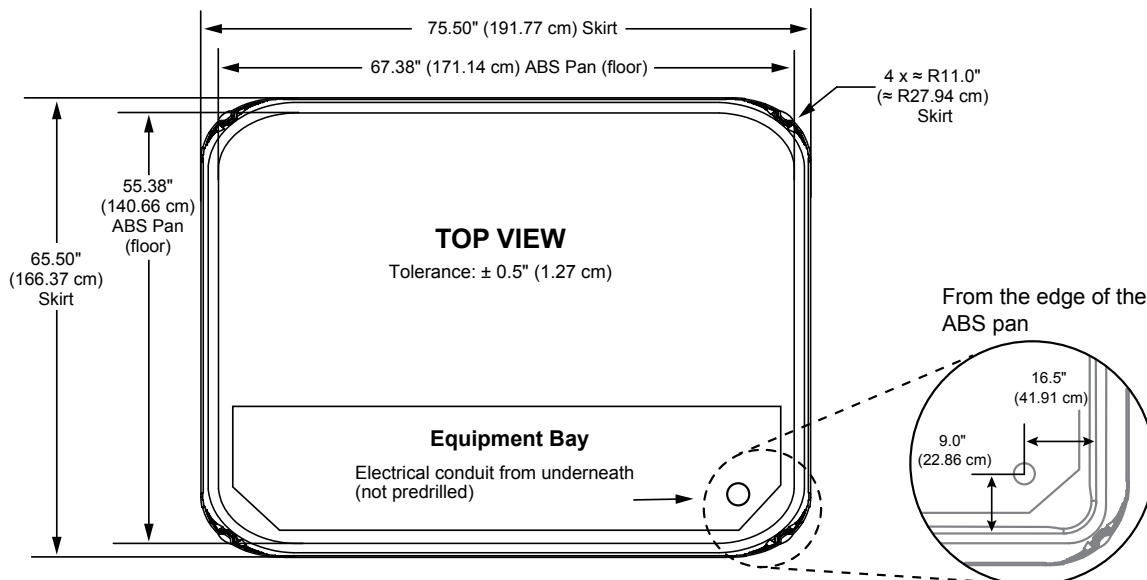


IMPORTANT! Always measure each hot tub for exact dimensions **BEFORE** designing its foundational support and/or decking.



Important Panel Details

NOTE: Over time the panel(s) may bow, this is considered normal. The panels will straighten out when reinstalled into the mounting channel. Place one end of the panel into the channel first then flatten the panel and insert the other end.



Dimensions/specifications subject to change without notice. Tolerance $\pm 0.5"$ (1.27 cm)