

Jacuzzi J-345

Specifications

Seating Capacity.....	6-7 Adults
Dimensions	84" x 84" x 36" (213.5 cm x 213.5 cm x 91.44 cm); For Complete Dimensions, See page 84
Perimeter	336 in. (853.4 cm)
Dry Weight.....	777 lbs (352 kg)
Filled Weight (Spa Volume)	4,488 lbs (2,036 kg)
Filled Weight (Average Fill).....	3,654 lbs (1,306 kg)
Water Capacity (Spa Volume)	445 US gallons (1,685 Liters)
Water Capacity (Average Fill)	345 US gallons (1,306 Liters)
Electronic Controls	Solid state electronic controls with LCD readout, programmable temperature, filtration, and heat cycles
Pump 1	North America (60 Hz): 1-Speed, 4.8 HP brake, 2.5 HP continuous, 56 Frame Export (50 Hz):.....1-Speed, 2.0 HP continuous
Pump 2	North America (60 Hz): 1-Speed, 4.8 HP brake, 2.5 HP continuous, 56 Frame Export (50 Hz):.....1-Speed, 2.0 HP continuous
Circulation Pump.....	Yes, 8-hour
Heater	North America (60 Hz): 5.5kW High Flow Export (50 Hz).....2.7kW High Flow
Total PowerPro® Jets.....	41
Seat A Jets	4 PowerPro® FX, 2 PowerPro® FX Large Rotational, 2 PowerPro® FX Small
Seat B Jets	2 PowerPro® FX
Seat C Jets	3 PowerPro® MX, 2 PowerPro® FX Rotational, 2 PowerPro® FX Small
Seat D Jets	1 PowerPro® FX Large Rotational
Seat E Jets	10 PowerPro® FX, 2 PowerPro® FX Small
Seat E HYDROSOOTHE™ Jets	2 PowerPro® FX Directional with independent flow rate valve
Seat F Jets.....	2 PowerPro® FX Large, 2 PowerPro® FX Rotational, 2 PowerPro® FX, 2 PowerPro® FX Small
Footwell (G).....	8 PowerPro® FX Small, 1 PowerPro® FX
Massage Selectors	2
Air Controls.....	4, On/Off rocker style
Water Management System	Two 60 ft ² filter cartridges; filter 1 on 8-hour circulation pump; filter 2 on jets pump 1; Factory installed CLEARARRAY Active Oxygen™ Clean Water System Export (50 Hz):.....Factory installed CLEARARRAY Active Oxygen™ Clean Water System
LED Lighting	One underwater light with 4 color modes, one colored waterfall light, cup holders, 2 HYDROSOOTHE pillow lights, and OPTIONAL exterior light
ProFinish™ Cabinet Colors	Modern Hardwood, Brushed Gray, and Smoked Ebony
Acrylic Colors	Platinum, Silver Pearl, Monaco, Midnight, Porcelain
Headrests	4
Waterfall	One independent flow rate (on or off) adjustment; powered by the circulation pump
Electrical Requirements.....	North America (60 Hz): 240 VAC@40A, 50A, or 60A Export (50 Hz): 230-240 VAC@1x32A, 1x20A/1x16A, 3x16A, or suitably rated circuit breaker to comply with local electrical codes. Certain countries may require dual power inputs; two GFCI RCD breakers are required for this configuration.
Warranty*	North America (60 Hz): 10 Years Shell, 7 Years Shell Surface, 5 Years for Plumbing Component Leaks, 5 Years Equipment and Controls, 5 Years Cabinet, 2 Years Jets, 2 Years Lights, 1 Year Stereo; Export (50 Hz): 10 Years Shell, 7 Years Shell Surface, 5 Years Plumbing Component Leaks, 5 Years Equipment and Controls, 5 Years Cabinet, 2 Years Jets, 2 Years Lights, 2 Years Stereo
Special Features (Optional)	SmartTub™ Module, Exterior Lights
Audio System (Optional).....	BLUEWAVE® Spa Stereo System (Bluetooth/Aux compatible) with four speakers and subwoofer

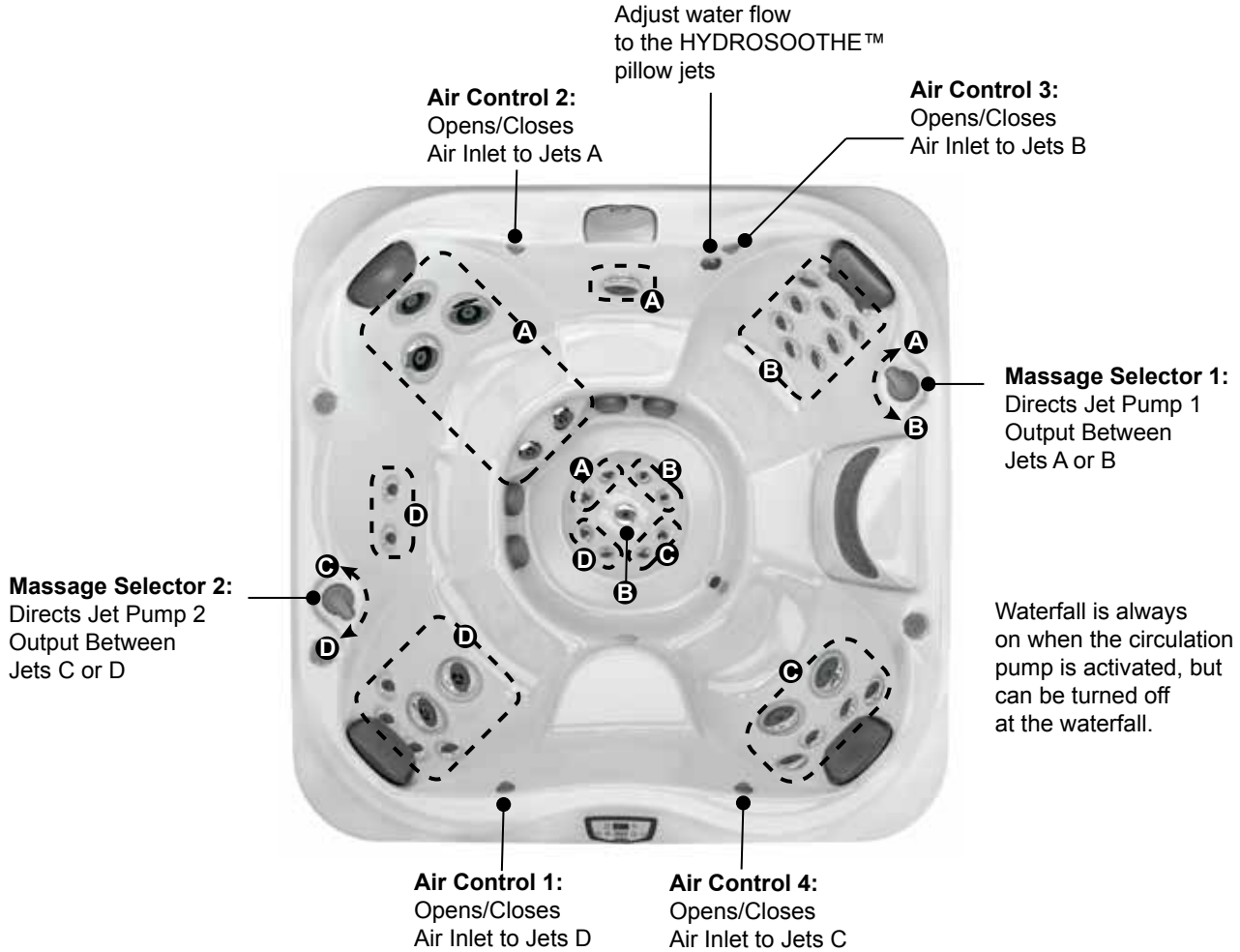


*(See Warranty Document for Specific Details)

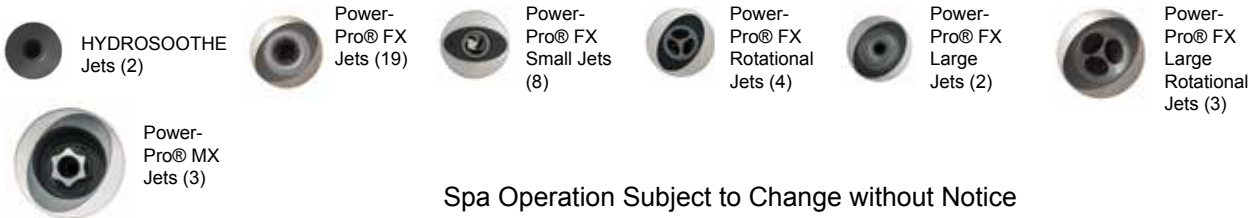
Dimensions/Specifications are Subject to Change Without Notice

Jacuzzi J-345

Operation/Seat Depths



41 Total Jets



Seat Depths

- A = 25.25" (64.1 cm)**
- B = 25.25" (64.1 cm)**
- C = 25.13" (63.8 cm)**
- D = 23.50" (59.7 cm)**
- E = 28.50" (72.4 cm)**

- F = 25.13" (63.8 cm)**
- G = 16.75" (42.5 cm)**
- H = 33.50" (85.1 cm)**

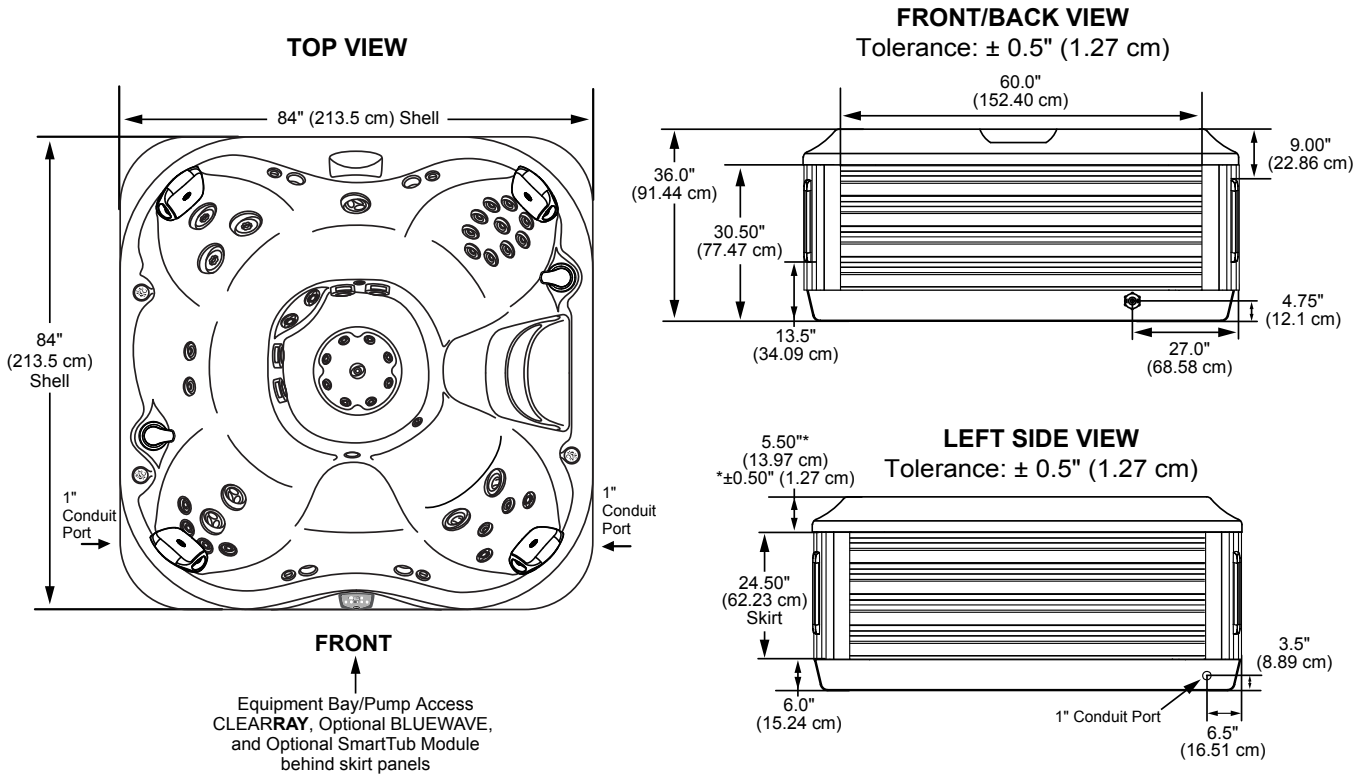
Listed dimensions represent distance from top of acrylic to lowest point in seat. Tolerance $\pm 0.5"$ (1.27 cm).



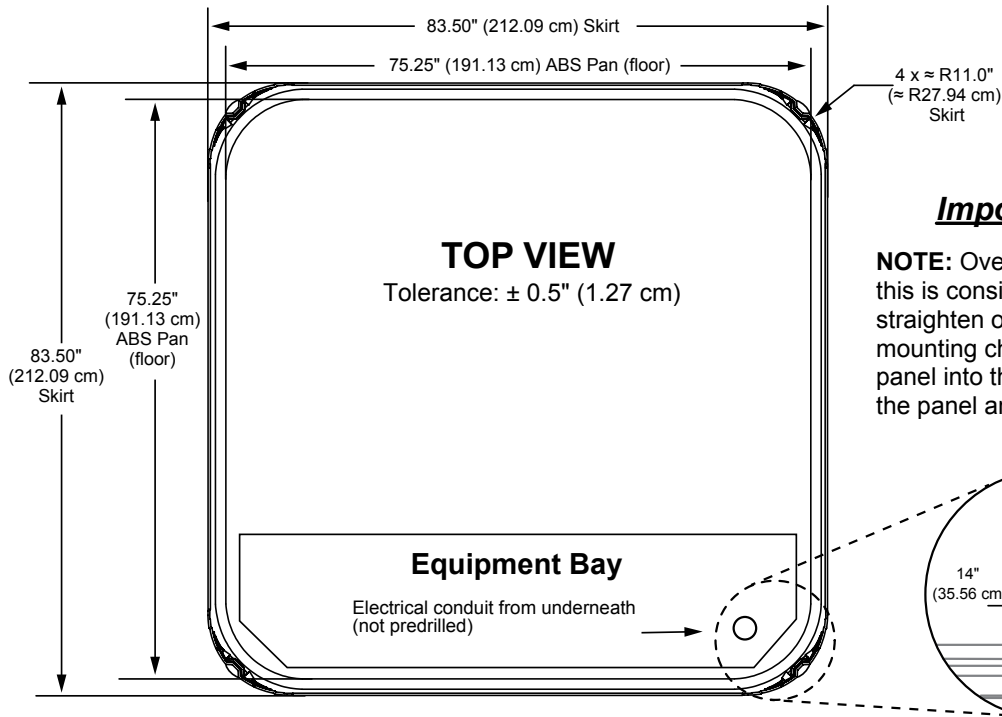
Dimensions/Specifications are Subject to Change Without Notice

Jacuzzi J-345

Dimensions



IMPORTANT! Always measure each hot tub for exact dimensions **BEFORE** designing its foundational support and/or decking.



Important Panel Details

NOTE: Over time the panel(s) may bow, this is considered normal. The panels will straighten out when reinstalled into the mounting channel. Place one end of the panel into the channel first then flatten the panel and insert the other end.

Dimensions/specifications subject to change without notice. Tolerance $\pm 0.5"$ (1.27 cm)